



FEATURES:

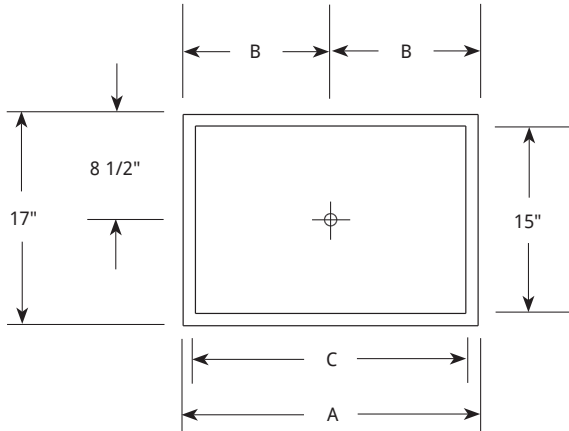
- 304 Stainless Steel, Welded and Polished Top Assembly, Front and Back Apron and Ends
- 304 Stainless Steel Insulated Ice Chest with 11" Inside Depth
- Factory-Installed, 8 Circuit Post-Mix Sealed-In Cold Plate
- Legs: Galvanized Steel Tube and Welded Cross-Brace Construction, with Corrosion Resistant Hammertone Paint and High-Impact Plastic Adjustable Feet
- Ice Chests Include 304 Stainless Steel Sliding Cover
- Ice Chest with Cold Plate: 1/2" Standard Female Pipe Thread Drain
- Constructed to Meet NSF Specifications
- No Backsplash

MODEL NUMBERS:

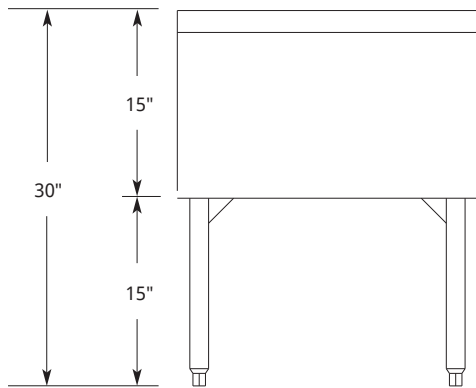
Description	Model
Ice Chests	24IC+8
	36IC+8

ICE CHESTS WITH COLD PLATES

TOP VIEW:



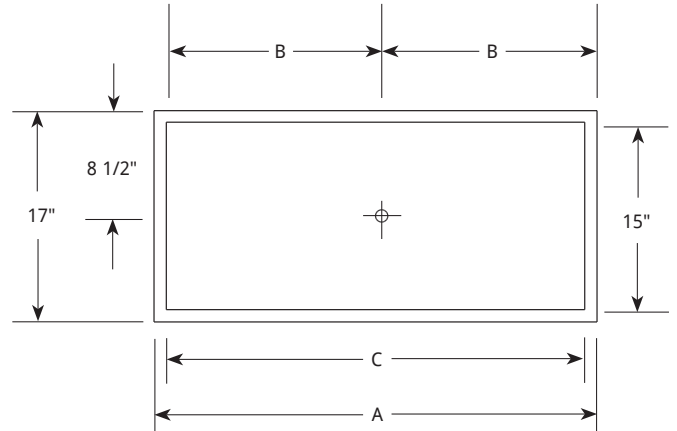
FRONT VIEW:



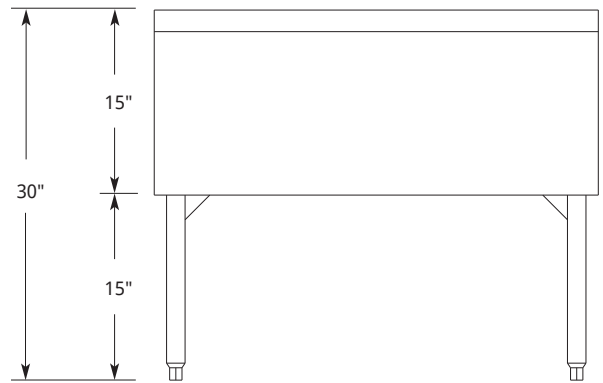
Model	A	B	C	Capacity
24IC+8	24	12	22	95 lbs.

11" Ice Storage Depth

TOP VIEW:



FRONT VIEW:



Model	A	B	C	Capacity
36IC+8	36	18	34	150 lbs.

11" Ice Storage Depth

LaCrosse has a policy of continuous product improvement, and reserves the right to change design and specifications without notice.

L#1005.1016